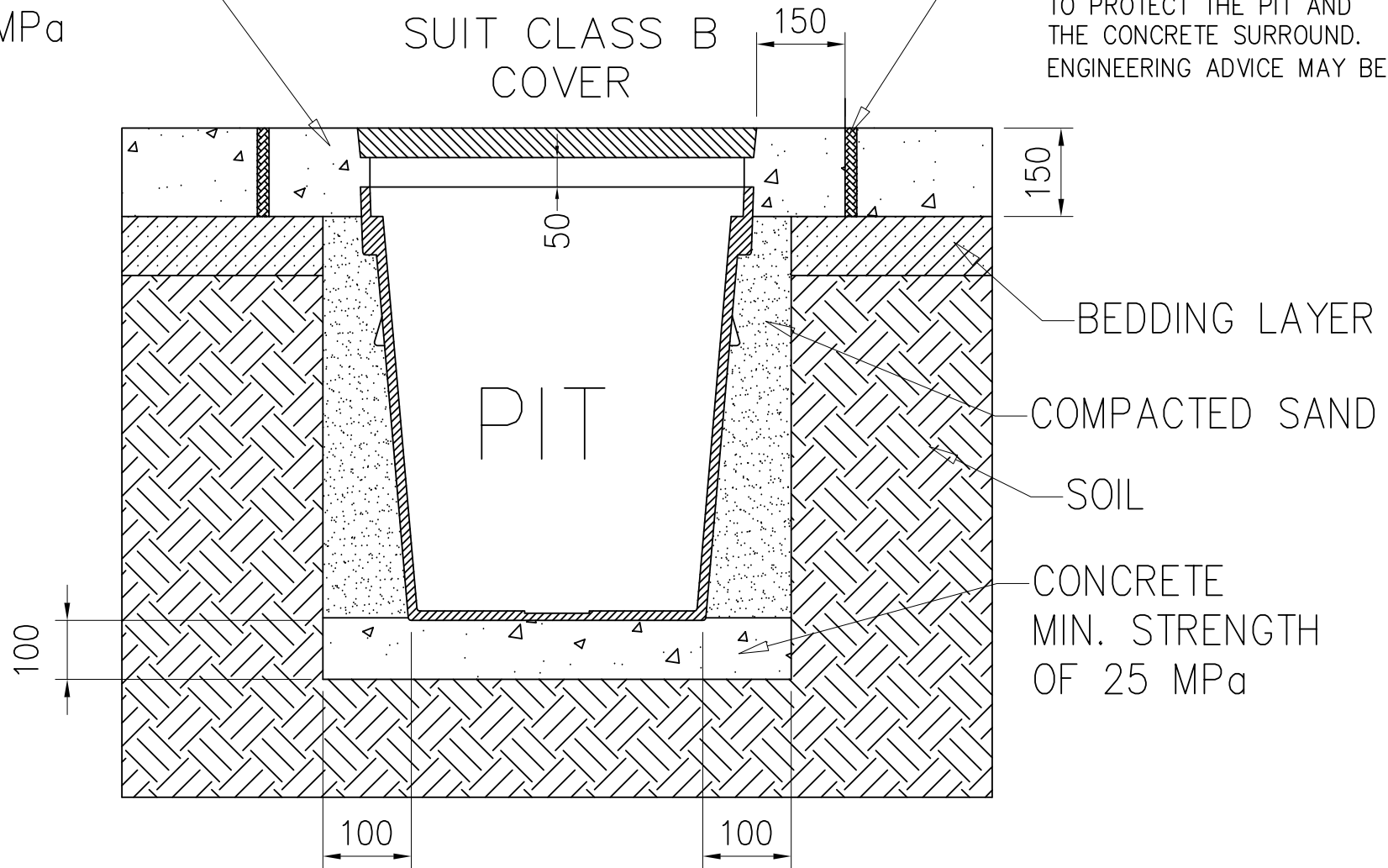


CONCRETE  
MIN. STRENGTH  
OF 25 MP<sub>a</sub>

SUIT CLASS B  
COVER

EXPANSION JOINT  
TO ENGINEER'S DETAIL  
(EXPANSION AND CRACK  
CONTROL JOINTS ARE RECOMMENDED  
TO PROTECT THE PIT AND  
THE CONCRETE SURROUND.  
ENGINEERING ADVICE MAY BE REQUIRED)



HYDRO CONSTRUCTION  
PRODUCTS  
43 AGOSTA DRIVE  
LAVERTON NORTH VIC 3026  
PH- (03) 9368 6888  
FAX- (03) 9368 6800  
www.hydrocp.com.au

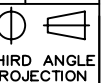
This document must not be copied without our  
written permission and the contents thereof must not  
be imported to a third party nor be used for any  
unauthorised purpose

HYDRO CONSTRUCTION PRODUCTS Copyright

PROJECT SITE INSTALLATION SUMP PIT

DRAWING No.

REV.



DATE: 8/10/14

DRAWING CHECK:

DWG SIZE /SCALE  
A4

QUOTE No.

PAGE

DRAWN: BG

CLIENT  
APPROVED:

nts

1/1