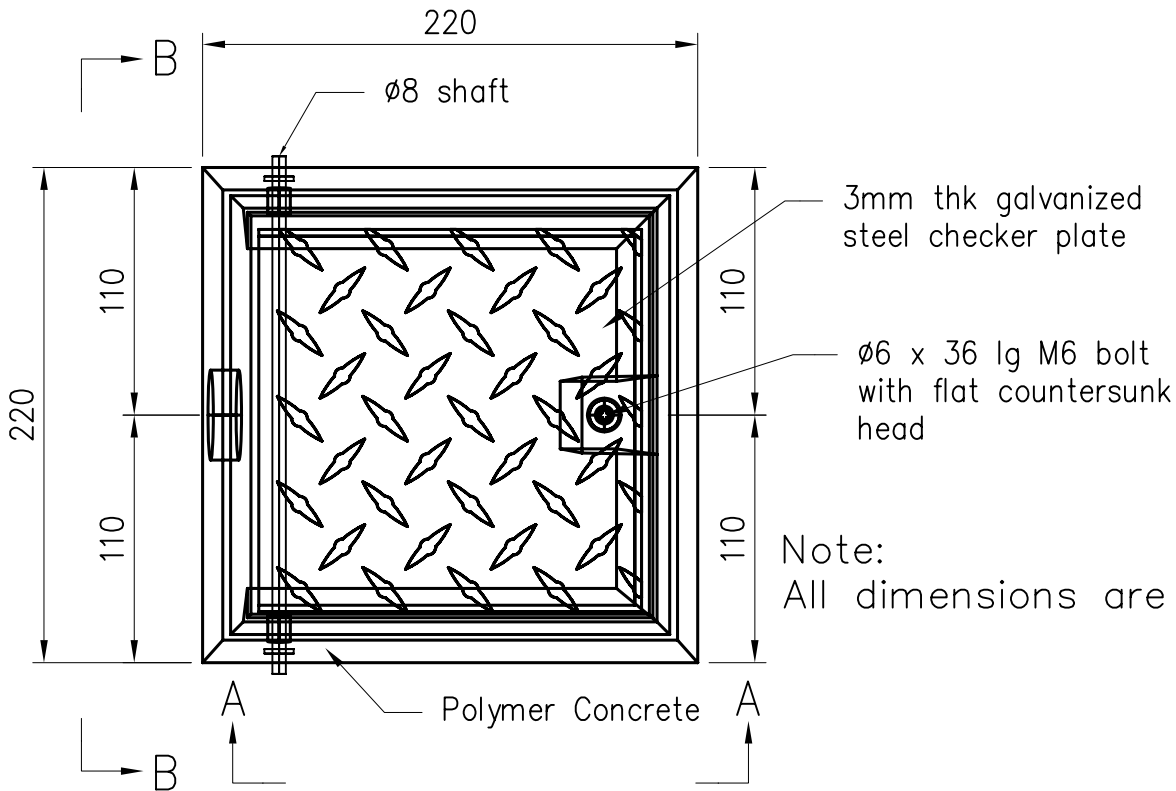
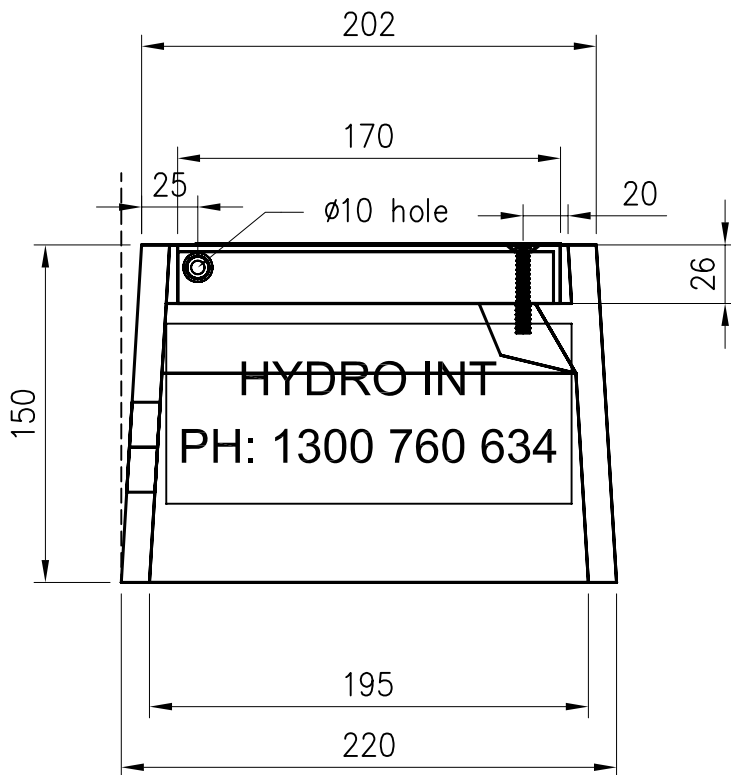


TOP VIEW

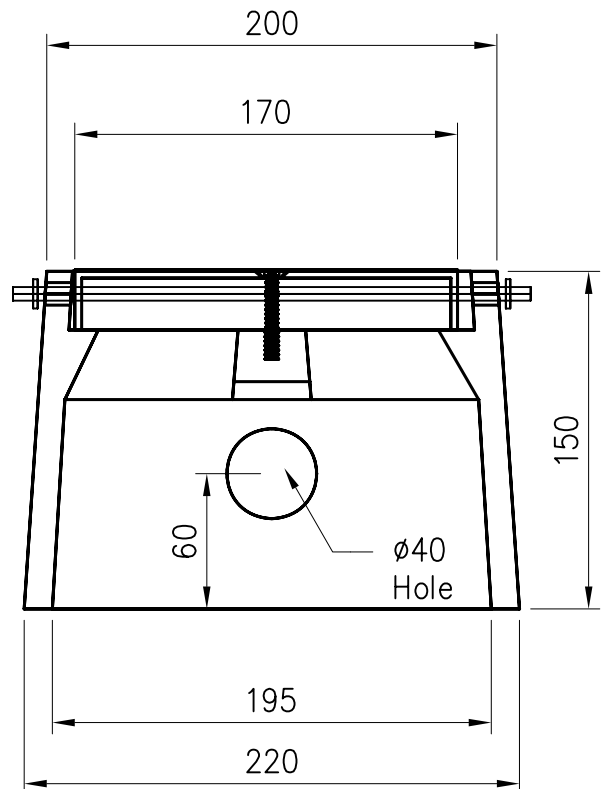


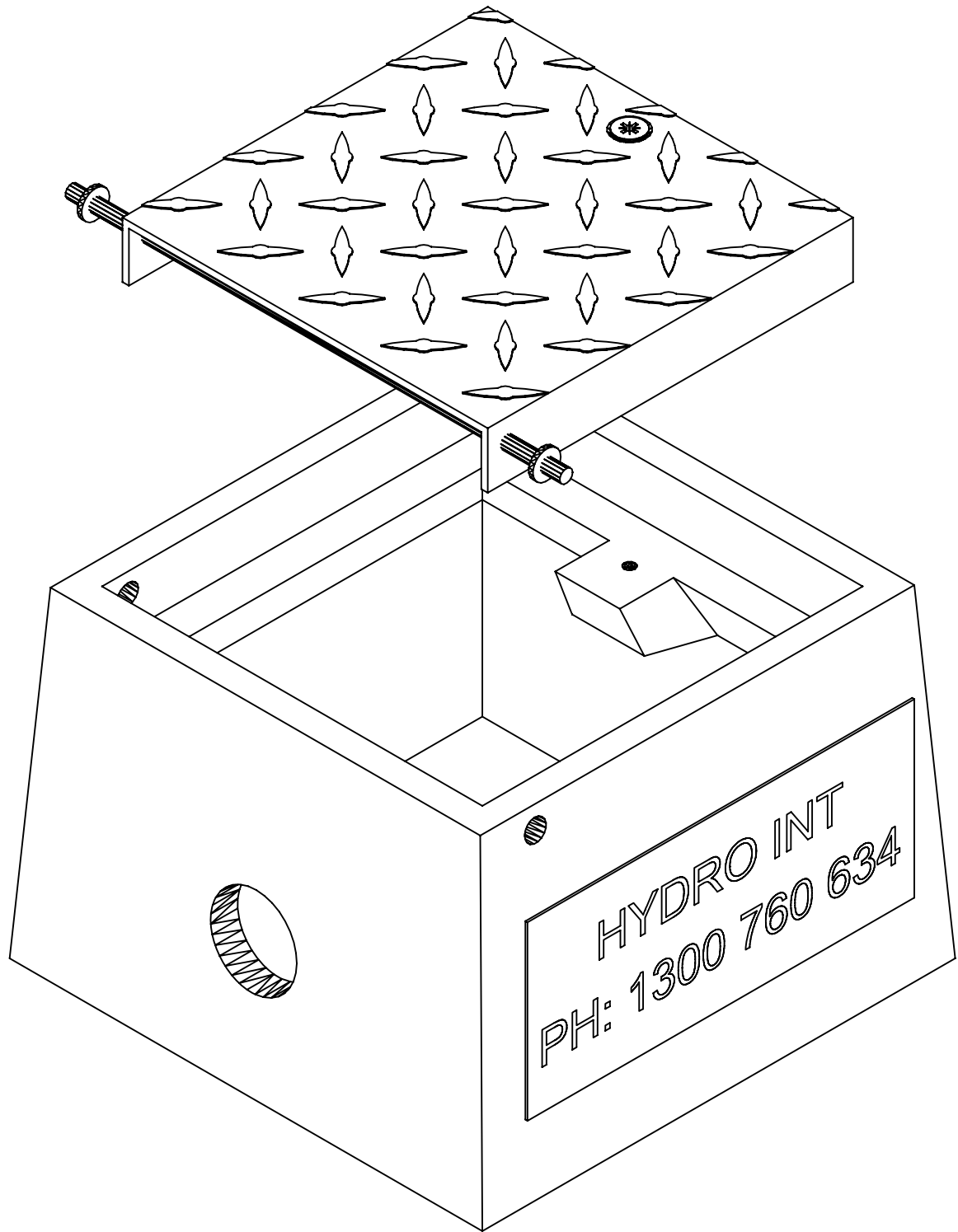
Note:
All dimensions are in millimetres

SECTION A-A



SECTION B-B





HYDRO CONSTRUCTION PRODUCTS AUSTRALIA & NEW ZEALAND TOLL FREE
 AU- 1300 GO HYDRO OR NZ- 0800 493 766
www.hydrocp.com.au or www.hydrocp.co.nz

This document must not be copied without our written permission, and the contents thereof must not be imported to a third party nor be used for any unauthorised purpose.
 HYDRO CONSTRUCTION PRODUCTS Copyright

PROJECT				REV.
DRAWING No.				B
P20 Customer Copy				THIRD ANGLE PROJECTION
DATE: 22.03.2011	DRAWING CHECK:	DWG SIZE /SCALE	QUOTE No.	PAGE
DRAWN: BG	CLIENT APPROVED:	A4 nts		2/2